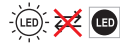


Technical data

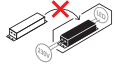
Supply Voltage: 220-240 V~, 50 Hz

Bulb Type: 40W LED Module (SMD), 6500K

These products contain a light source of energy efficiency class **E**.



Non-replaceable light source



Non-replaceable control gear



Conformity with all relevant UKCA Directive requirements.



Conformity with all relevant EC Directive requirements.



The power supply is Double Insulated and does not require connection to an Earth circuit.



Waste electrical products should not be disposed of with household waste. Please recycle where facilities exist. Check with your Local Authority or local store for recycling advice.



This product is not suitable for dimming.



This product is rated at IP65.



This product is rated at IK08.

Care and Safety

We recommend cleaning with a soft dry cloth. Do not use solvents or abrasive cleaners as these could damage the finish. For your safety, always switch off the power supply before cleaning.

The LED module is protected by a shade. The shade cannot be replaced, if the shade becomes cracked or damaged, this light fitting must be discarded

Instruction manual

Reeve 2 Batten

73535, 73536



For further information, please visit <https://www.lighting-info.co.uk/73536>

V6 19/01/2024

UK Manufacturer: BH17 7BY

EU Manufacturer: Brilliant AG,
Brilliantstrasse 1, D-27442 Gnarrenburg


saxby
lighting

www.saxbylighting.com

saxby
lighting

Thank you for purchasing this light fitting. Please read the instructions carefully before use to ensure safe and satisfactory operation of this product. Please retain these instructions for future reference.

Warning

 This power supply is Double Insulated and does not require connection to an Earth circuit.

Please read these instructions carefully before commencing any work.

This unit must be fitted by a competent and qualified electrician.

Check the pack and make sure you have all the parts listed.

Install in accordance with the IEE Wiring regulations and current Building Regulations.

To prevent electrocution switch off at mains supply before installing or maintaining this fitting. Ensure other persons cannot restore the electrical supply without your knowledge. If you are in any doubt, please consult a qualified electrician.

This light fitting should be connected to a fused circuit.

The external flexible cable or cord of this luminaire cannot be replaced; if the cord is damaged, the luminaire shall be destroyed.

If replacing an existing fitting, make a careful note of the connections.

The entire unit gets hot whilst on for a period of time.

Waste electrical products should not be disposed of with household waste. Please recycle where facilities exist. Check with your local authority or retailer for recycling advice.

Layout

Plan the desired layout of these fittings carefully, ensuring the cables will reach the distance between the junction box and the light fitting.

Avoid locating any cables in positions that would cause a hazard. Position cables and outdoor rated junction boxes (not supplied) away from areas where they may be at risk from being cut, trapped or damaged.

We recommend that you use H05RN-F specification cable (supplied) which is an outdoor grade, rubber sheathed cable.

The mains supply cable must have a minimum cross sectional area of 1.0mm²

Cables must be protected using suitable conduit or plastic trunking.

Installation

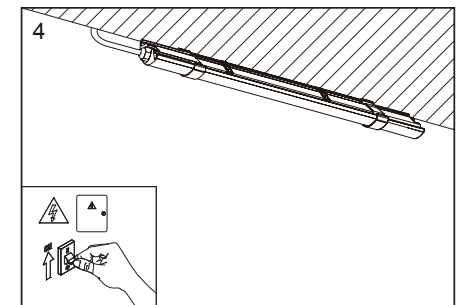
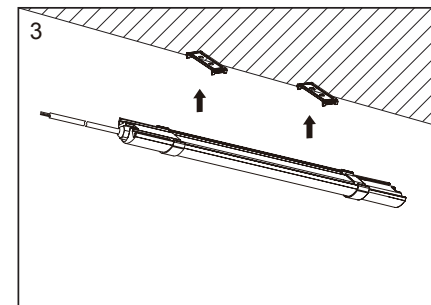
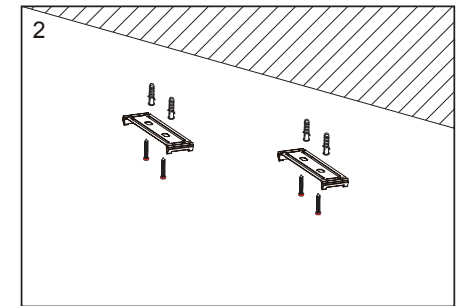
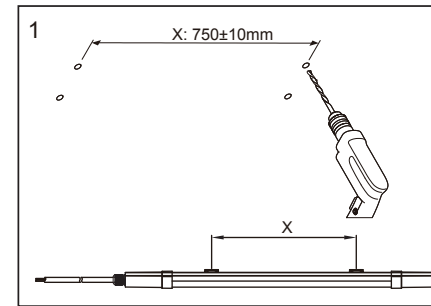
Existing fittings must be completely removed before installation of a new product. Before removing the existing fitting, carefully note the position of each set of wires.

Note that the switch is turned off before installation.

Ensure that the screws and cable entry points are sealed to maintain the IP rating of the product.

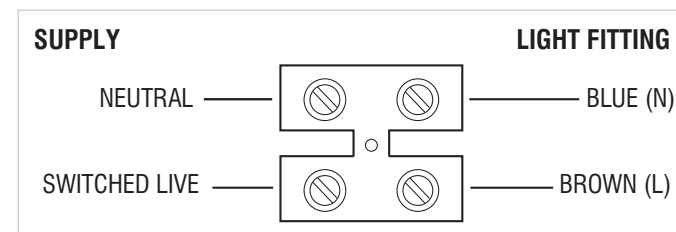
The ceiling surface must be flat and smooth to ensure a good fit.

- Refer to the diagram below. Decide on the location of the product. Measure the distance between the mounting bracket location slots, mark the location of the fixing holes on the mounting surface.
- Drill holes and fit supplied wall plugs (suitable for masonry only - for other surfaces use appropriate fixings). Fix mounting brackets in place.
- Wire as detailed wiring diagram.
- Attach product to mounting brackets by pushing until securely held.
- Replace fuse or circuit breaker and switch on. Your light is now ready for use.



Wiring

Having correctly identified the wiring from your existing light fitting, connect to the approved IP67 (or higher rated) terminal block in the following way (recommended terminal block Ref. 90131/90132)



Check that...

You have correctly identified the wires.
The connections are tight.
No loose strands have been left out of the connection block.